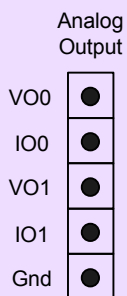


### Introduction

FBs-B2DA is one of the analog output expansion boards of FATEK FBs series PLC. It provides 2 channels of 12-bit (coded in 14 bits) analog outputs. For safety, the output signals will be automatically forced to zero(0V or 0mA) when the board is not serviced by CPU for 0.5 second. The Output signal types (voltage or current) can be selected by the field wiring.

### Pin Assignment



### Specification

**Total Channels :** 2 Channels

**Resolution :** 12 bits

**Coding Format :** 14 bits ( 0 ~ 16380 )

**Signal Resolution :** 2.44mV(Voltage), 4.88uA(Current)

**Registers Occupied :** 2 Register ( D4076 · D4077 )

**Conversion Time :** Updated each scan

**Accuracy :** ±1 %

**Max. and Min. output loading :**

Voltage Output : 2K ~ 1MΩ

Current Output : 0 ~ 500Ω

**Output Range :** 0 ~ 10V(Voltage)

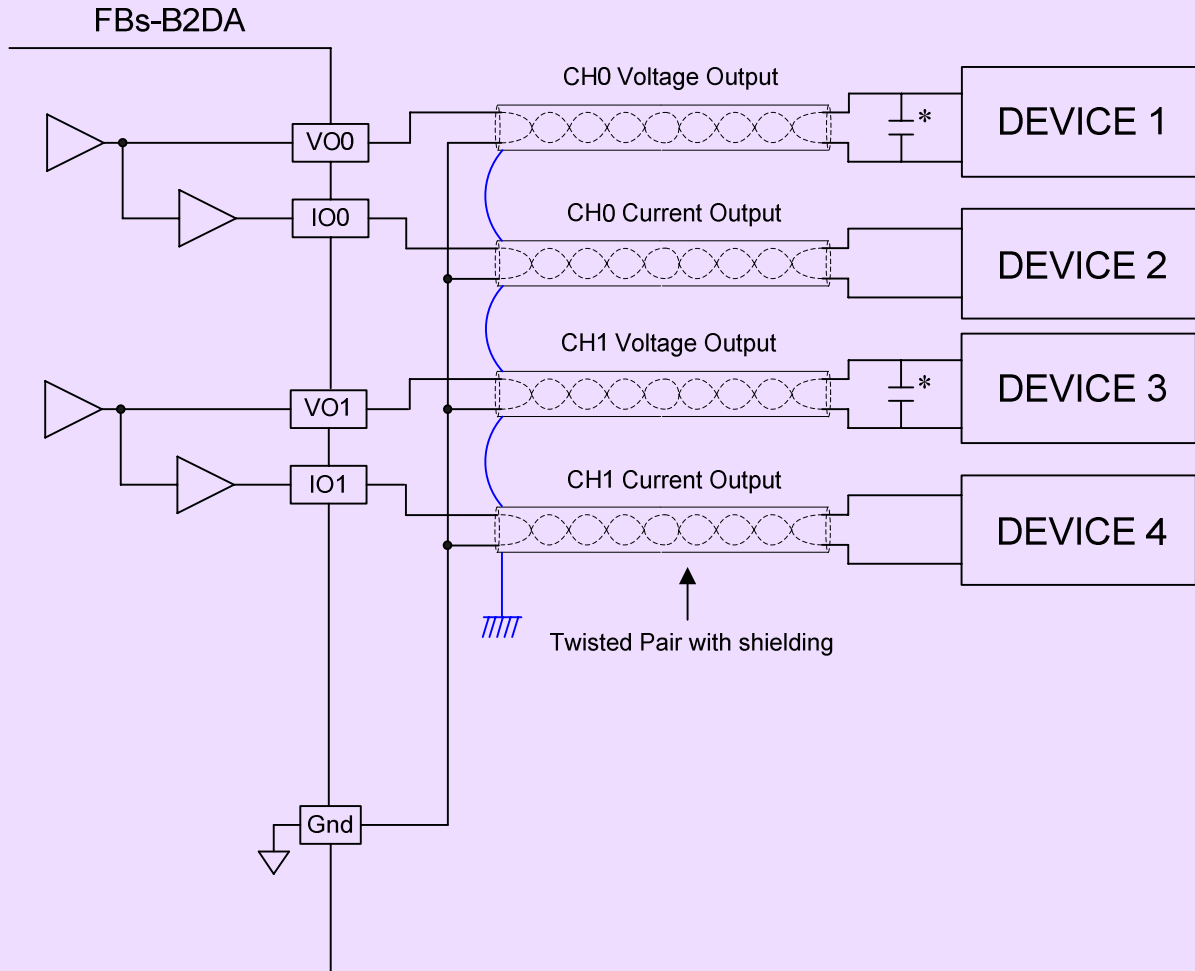
0 ~ +20mA(Current)

**Internal Power Consumption :** 5V, 150mA(Max. load)

**Operating Temperature :** 0 ~ 60 °C

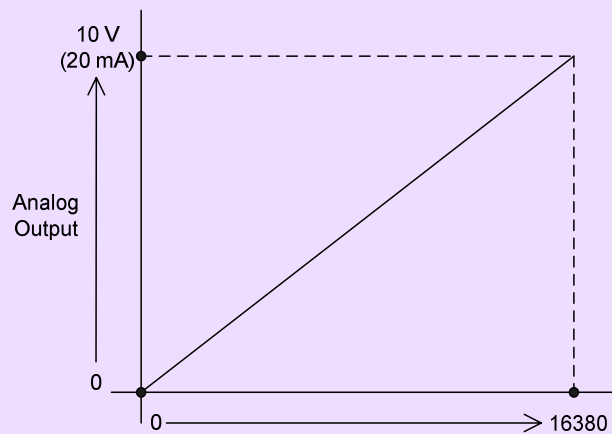
**Storage Temperature :** -20 ~ 80 °C

## Wiring Diagram



\* 0.1~0.47 uF capacitor ( to filter noise ).....Advice to Install, but not necessary!!

## Characteristics Chart



### Registers allocation Map

	Channel No.	Mapped Register
Analog Output	CH0	D4076 ( 0 ~ 16380 )
	CH1	D4077 ( 0 ~ 16380 )