

FATEK[®] The Brand You Can Rely on

Power Supply



www.fatek.com

FATEK® Power Supply

- Universal AC input
- High power density
- Compact design
- Convection cooled
- DIN rail
- Great reliability
- Overload protection
- Over voltage protection
- Short circuit protection
- LED power indicator
- Made of double-sided PCB



Spec.	Model	ADP-24V-1A	ADP-24V-2A	ADP-24V-4A	
Input	Input voltage	100~240Vac			
	Frequency	50/60Hz			
	Maximum input current	1A max.	1A max.	2.5A max.	
	Inrush current (cold start)	22A/115VAC (44A/230Vac)			
Output	Rated output power	24W	48W	96W	
	Output voltage	24V			
	Output current	1A	2A	4A	
	Output voltage range	23.6V~27.4V(adjustable)			
	Conversion efficiency	87%/110Vac, 86%/220Vac	86%/110Vac, 87%/220Vac	87%/110Vac, 90%/220Vac	
	Output ripple	55mv max.*		130mv max.*	
	Output noise	70mv max.*	145mv max.*	265mv max.*	
	Hold-up time	>20ms/ 110Vac, >60ms/ 220Vac	>15ms/ 110Vac, >60ms/ 220Vac	>15ms/ 110Vac, >50ms/ 220Vac	
Startup time	35ms/110Vac, 30ms/220Vac	35ms/110Vac, 32ms/220Vac	58ms/110Vac, 30ms/220Vac		
Protection	Overload protection	Method	Foldback overload protection, automatically recover when overload is removed		
		Overload	108%~145% rated output power	101%~133% rated output power	107%~114% rated output power
	Over voltage protection	Method	Latching overvoltage protection, re-power on to recover		
		Overvoltage	33V~40V		
	Short circuit protection	Overload protection			
Certifications	CE	EMC & LVD			
Environmental	Operating temperature	-20° C~45° C			
	Operating humidity	Non-condensing 20%~90%			
Note	Output ripple & noise are measured by a 20MHz bandwidth oscilloscope under the output terminals are connected in parallel with a 0.1uF ceramic & a 47 uF electrolytic capacitors.				

FATEK® AUTOMATION CORPORATION

26FL., NO. 29, SEC. 2, JUNGJENG E. RD.,
DANSHUEI DIST., NEW TAIPEI CITY 25170, TAIWAN, R.O.C

ADP-CV1-08-2012

TEL : +886-2-2808-2192

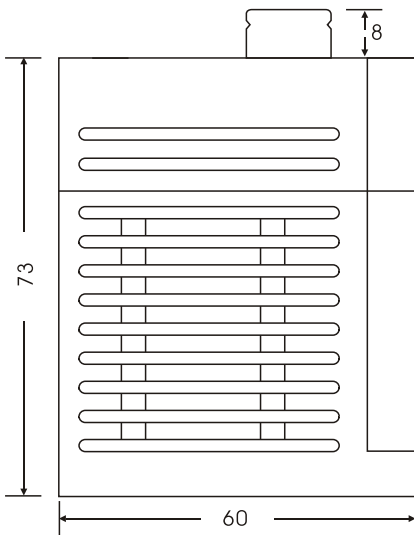
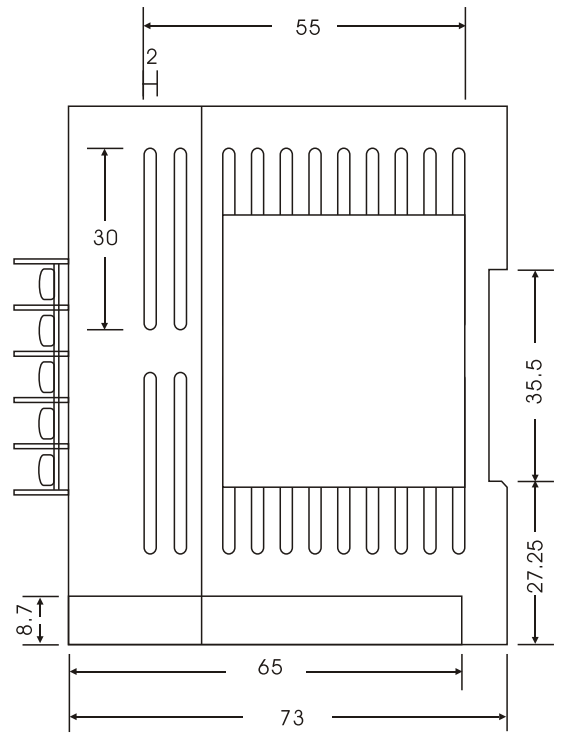
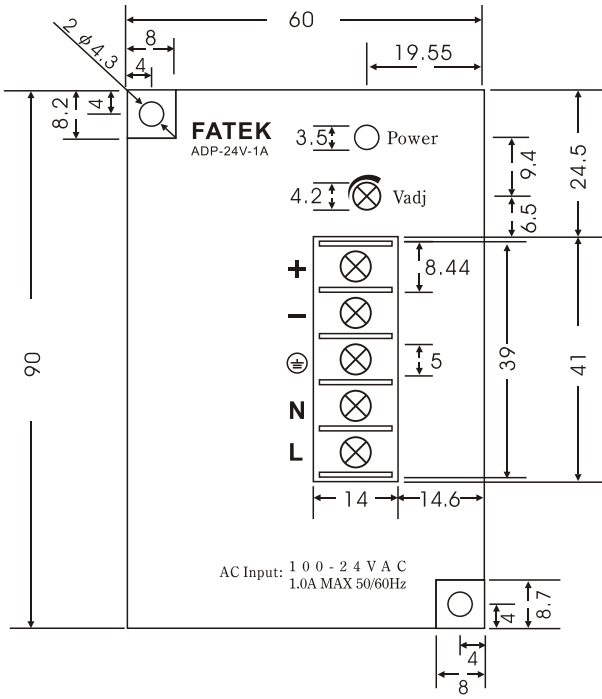
FAX : +886-2-2809-2618

E-mail : sales@fatek.com

tech@fatek.com

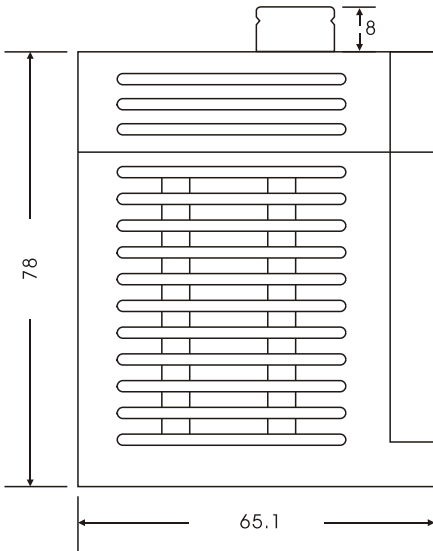
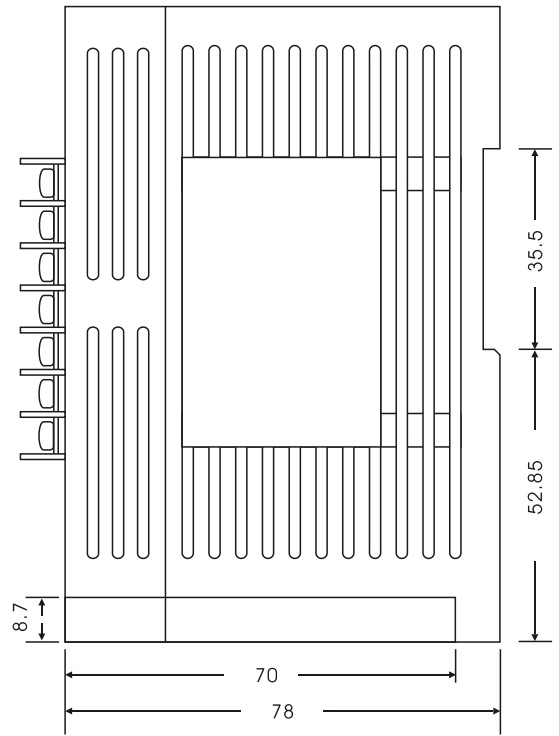
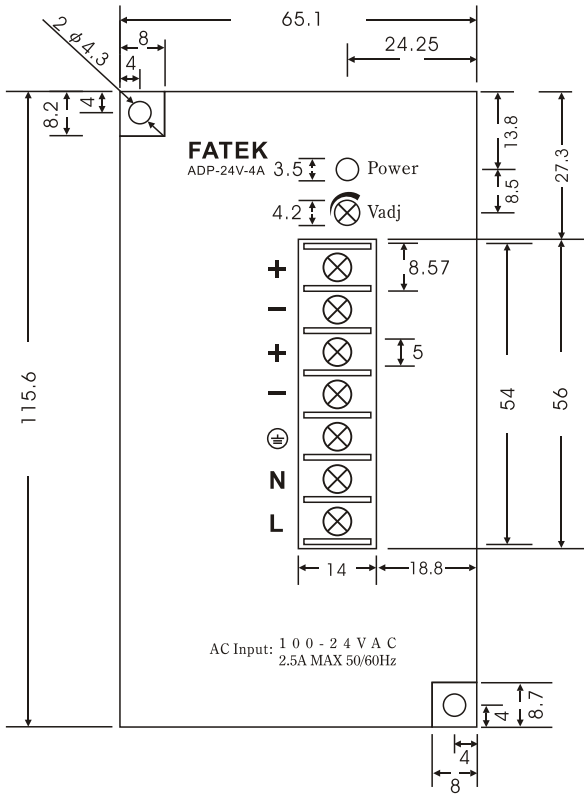
Website : www.fatek.com

ADP-24V-1A & 2A Dimensions



unit:mm

ADP-24V-4A Dimensions



unit:mm